



Watch our  
company  
video



All pictures shown are for illustration purpose only.  
Actual product may vary due to product enhancement.

# SIT 4

ENT patient chair. The original.

## otopront®

Finest ENT Equipment - Made in Germany. Since 1950.





Robust, heavy duty Version  
yet light and elegant

## SIT 4 – Form and function

The 'SIT 4' ENT examination and treatment chair combines clean design with full functionality and ergonomics – the result of elaborated design and 15 years of continuous development. With its sophisticated features, it presents itself as a stylish multifunction chair.

High quality materials combined with precision workmanship and reinforced heavy-duty components ensure the durability of the SIT 4, even under the most demanding day-to-day conditions in hospitals and practices.

See page 15 for an overview of all basic and optional features.





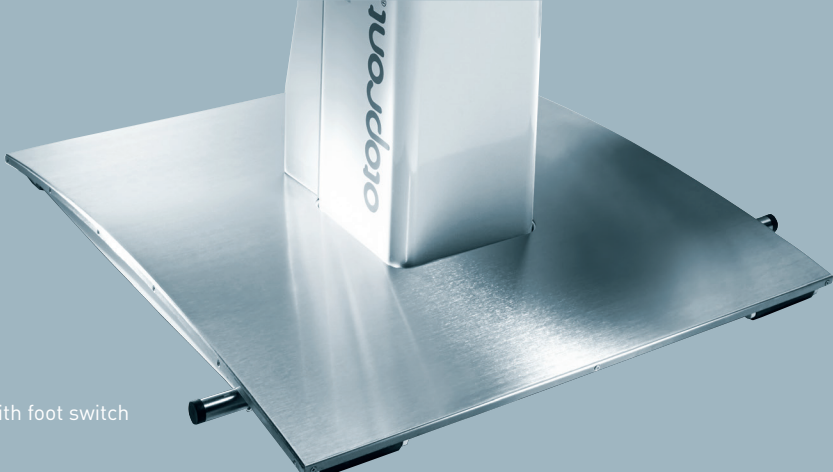
# Optimal position

One special feature of the SIT 4 is the **telescopic column** which is **angled forwards**: when the chair is raised, it automatically positions the patient closer to the practitioner, ensuring better access to the patient.

- + Triple telescopic cylinder and up to 11.81 inch seat height adjustment easy examination of children or and for work while standing
- + Height adjustment by integrated / external foot switches or remote controll



Comfort forward column for better access to the patient



Stainless steel base with foot switch





## Comfortable sitting and reclining position

- + The armrests and legrests follow simultaneously when the backrest of the SIT 4 is adjusted until a fully horizontal position is reached, providing perfect support and comfort to the patient
- + In case of a collapsing patient the backrest can quickly be brought into the  $-10^{\circ}$  Trendelenburg position

- + Simultaneous footrest can be folded up separately, ensuring safe contact with the calves on the chair



## Patient friendly

Folding armrests provide easy access for immobile patients





## Swivel function

The SIT 4 is smoothly rotatable by 360°, equipped with a 90° detent and a locking brake, allowing quick and precise adjusting of each position. Optionally the rotation can be operated by an electric motor (by foot pedal or remote control) up to 180° clockwise or counterclockwise.

The version with an independent seat swivel with 90° detents enables rapid changes of the patient's position and better access to the patient's ear. See below.



Choice of separate foot switch or remote control



Starting position



90° anticlockwise rotation



90° clockwise rotation

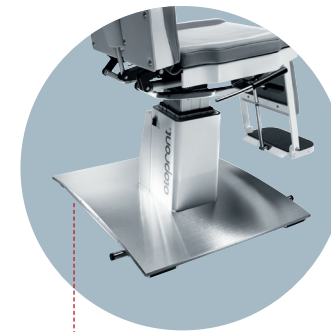
Integrated foot switch

The foot plate allows practitioner's chair to slide underneath in any position

## Mobile mode

The SIT 4 can be fitted with a mobility feature for the treatment of recumbent patients at the ENT workplace as well as for flexible deployment at different sites such as outpatient clinics or hospital wards.

Two castors lower from the bottom at the push of a button, enabling the SIT 4 to be pushed smoothly (only moveable when chair is empty and not anchored in the floor).



### Stainless steel cover

Upon request, the base can be fully clad in stainless steel



Activation of mobile mode

Castors for moving the chair smoothly across the floor



Removable seat cushion with Velcro® fastenings (all models)

The seat cushion can be removed for easy cleaning with the help of Velcro fastenings. The footrest can also be easily detached to be cleaned in the dishwasher.



Removable, dishwasher-safe footrest

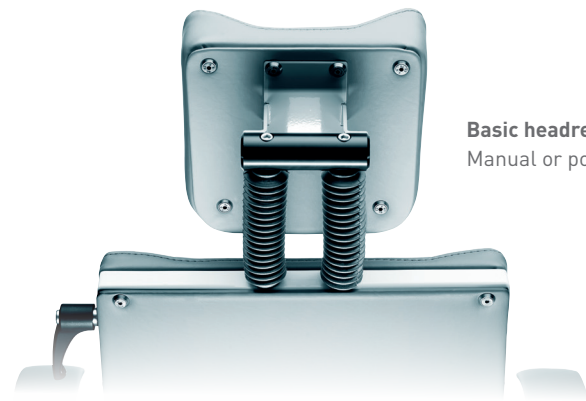


# Headrests

The SIT 4 offers you a choice of two headrests. The **basic headrest** allows swift height adjustment via vertical displacement, with automatic locking.

The alternative **surgical headrest** with three degrees of freedom can additionally be adjusted in its tilt and horizontal position, which makes it particularly suitable for larynx examinations or minor interventions.

An optional power-operated height adjustment feature enables the position of the headrest to be conveniently modified even during treatment. Possible for both the base and the surgical headrest.



**Basic headrest**  
Manual or power height adjustment



The headrests can easily be replaced or removed for cleaning



Power height adjustment



**Surgical headrest**  
One lever,  
many positions



Surgical headrest  
with 3 degrees of freedom



# The perfect complement: The BELMONT medical chair

With the combination of pneumatic seat height adjustment from 21.65 inch to 29.52 inch and infinitely adjustable backrest the BELMONT can be optimally adapted to the preferences of the user. In addition, the chrome-plated steel components and the synthetic leather upholstery provide optimal hygienic conditions.

**Optionally available foot pedal.**

Upholstery available in various colours



# Materials and colours

The upholstery of the SIT 4 is available with **saddle-stitch seams** or with a **smooth surface**. Both versions are extremely hard-wearing, easy to clean, and disinfectant-resistant. The synthetic leather upholstery is available in a wide range of RAL colours, optionally also available

in **genuine leather**. The full range of RAL and metallic colours is available for the chair's lacquered components, with the option of selecting different colours for the upper section, central column and base.



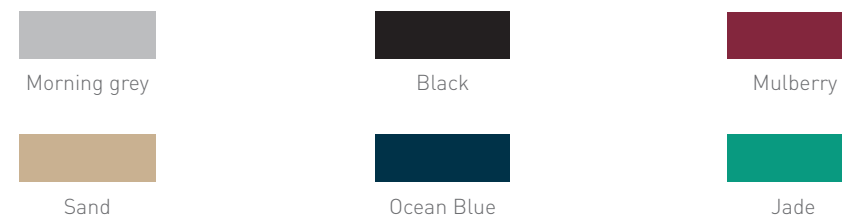
Morning grey, with ornamental stitching



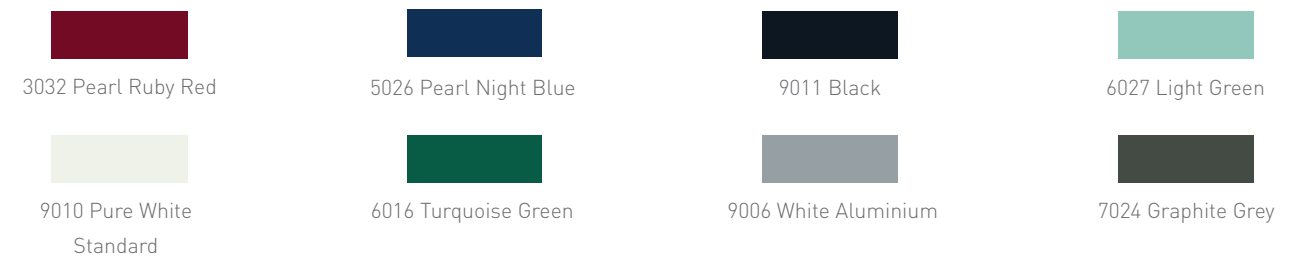
Morning grey, smooth leather

Free choice of colours for upholstery and varnish.  
Extract from our colour portfolio:

### Upholstery colours



### Lacquer colours



For more colours, please see colour portfolio.



# ENT Examination and Treatment Chairs

## Examination Chair SIT 4

- Motor support, integrated foot switch
- Stroke 11.81 inch; adjustable from 21.65 - 33.46 inch
- Fully rotatable 360° with spring loaded ball stop mechanism and lockable
- Backrest can be tilted to horizontal position and minus to Trendelenburg position
- Adjustable headrest and fixed footrest
- Fully synthetic leather cover black
- Adjustable armrest

## Examination Chair SIT 4 Plus

- Motor support, integrated foot switch
- Stroke 11.81 inch; adjustable from 21.65 - 33.46 inch
- Fully rotatable 360° with spring loaded ball stop mechanism and lockable
- Backrest can be tilted to horizontal position and minus to Trendelenburg position
- Simultaneous movement/ adjustment of back- and footrest
- Fully synthetic leather cover black

## Examination Chair SIT 4 Plus E

- Motor support, integrated foot switch
- Stroke 11.81 inch; adjustable from 21.65 - 33.46 inch
- Motor support for simultaneous movement of back- and footrest
- Backrest can be tilted to horizontal position
- Rotation 180° left and 180° right
- Fully synthetic leather cover black

## Examination Chair SIT 4 Plus ER

- Motor support, integrated foot switch
- Stroke 11.81 inch; adjustable from 21.65 - 33.46 inch
- Motor support for simultaneous movement of back- and footrest
- Backrest can be tilted to horizontal position
- Electric rotation 180° left and 180° right via foot switch
- Fully synthetic leather cover black

## Options

- Mobility on castors with electric lower and rise function (empty chair, not anchored)
- Headrest adjustable in all directions
- Motor support for adjustable headrest
- Tilt protection
- The thickness of the upholstery can be individually adjusted to customer requirements



SIT 4 with leg rest, simultaneous proven adjustment of backrest and surgical headrest, height adjustment switches on both sides

# Technical data

## Motor supported height adjustment

- 11.81 inch stroke (seating height 21.65 - 33.46 inch)
- Foot switch integrated into base
- Foot pedal, pneumatic

## Swivel function

- 360° on smooth-running roller bearings, with detents every 90° (option of a locking brake; infinitely variable; operated from both sides) / 350° power operated (via foot pedal or remote control [SIT 4])

## Adjustment range for backrest

- -10° forward tilt, down to 10° beyond the horizontal (shock position), 30° position mark
- Manual operation / power drive

## Simultaneous adjustment and foot plate

- Armrests and leg support move in sync with backrest
- Anatomical seating comfort thanks to infinitely variable backrest adjustment

## Footrest

- Support with simultaneous adjustment of leg cushion and footrest; foldable and removable optional version

## Basic headrest

- Anatomically shaped, height adjustable up to 5.91, easy to remove

## Surgical headrest

- Height adjustable and can be positioned flat or tilted
- Optional power height adjustment

## Upholstery

- Heavy-duty synthetic leather covering
- Disinfectant-resistant
- Removable seat area secured by Velcro®
- With ornamental stitching/smooth surface
- Genuine leather upon request

## Base cover

- Stainless steel protective rim
- Optional full stainless steel cladding

## Structure

- Stable steel construction with solid base plate
- Double coating of lacquer
- Stainless steel edging and surfaces

## Colours

- Synthetic leather in different colours as per sample chart
- Lacquer finish in RAL colours

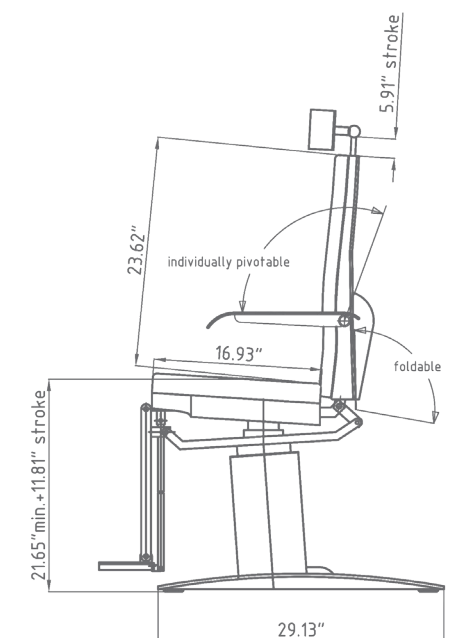
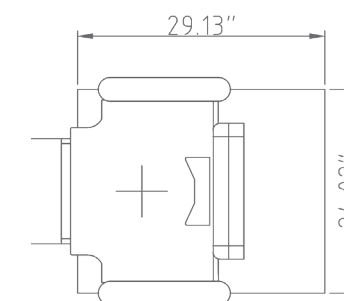
## Weight

- 231.49 - 264.55 lbs

## Voltage supply

- 110 - 127 V-, 50/60 Hz, 550 W

See Page 15 for different optional features.



Subject to technical alterations.



**Happersberger otopront GmbH**

Medical Equipment Manufacturer

D-65326 Hohenstein · P.O. Box · Germany

Tel. +49 6120-9217-0 Fax +49 6120-9217-60

[www.otopront.com](http://www.otopront.com) · [info@otopront.com](mailto:info@otopront.com)

**otopront®**